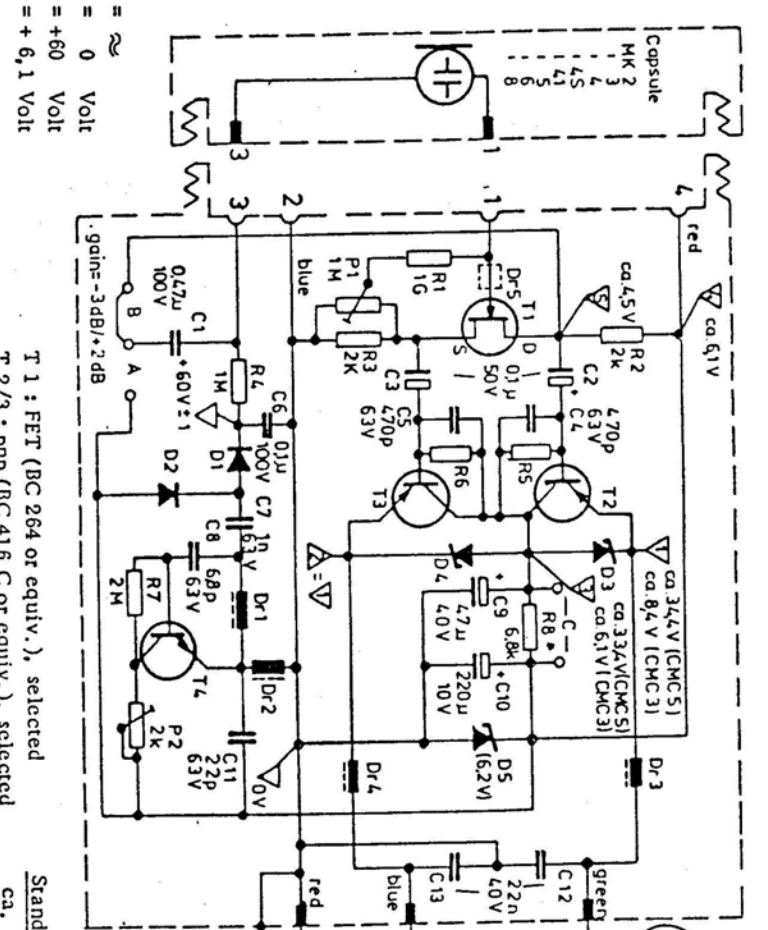
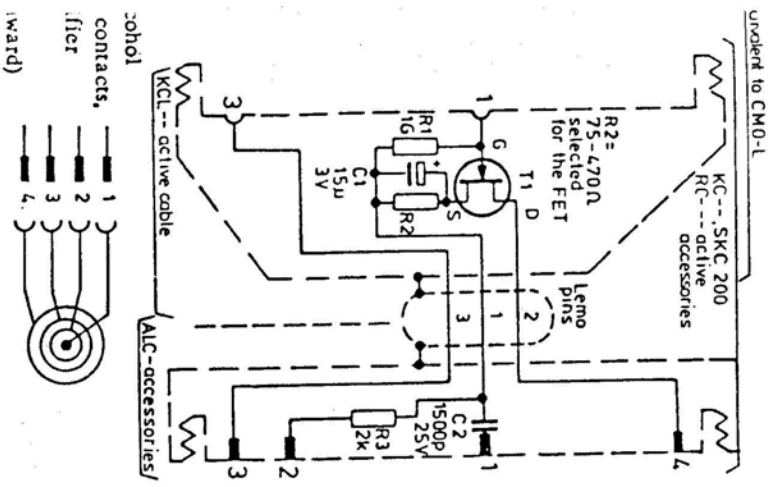
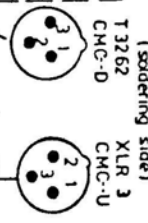


Equivalent to CM0-C



Connectors as seen from inside microphone (soldering side)



PHANTOM POWERING:
Supply current is sent along the two modulation leads and returns through cable shield. Supply ripple max. 1 mV

Standard values:

ca.	ca.	R8 *
48 V	4 mA	6,8 kΩ
12 V	10 mA	bridged at "C"
24 V	9 mA	1,2 kΩ DIN prop. 1,5 kΩ
24 V	7 mA	4,7 kΩ
18 V	7 mA	3,3 kΩ
9 V	9 mA	270Ω

* R8 determines the amplifier type
 CMC 5 has R8 = 6,8 kΩ
 CMC 3 has R8 = 6,8 kΩ, but bridged at "C"

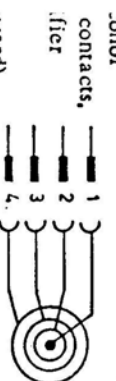
AMPLIFIER TEST VALUES

- (Test head MEC in place of capsule)
- Output into 1 kΩ :
- Noise voltage $\leq 2\mu\text{V}$ (CCITT weight.)
- Max. output 850 mV for THD $\leq 0,5\%$
- (f = 40 Hz - 20 kHz, standard powering)
- bridge A or B determines total gain
- A: + 2dB (blue dot amplifier)
- B: - 3dB (standard version)

- \approx Volt
- \approx Volt
- $\approx +60$ Volt
- $\approx +6,1$ Volt

COMBINATION

amplifiers CMC 3 or CMC 5 can
 Example) capsule MK 4 to form the
 CMC 34 and CMC 54 respectively
 connected directly onto amplifier of
 active accessory which in turn
 capsule of
 available microphone CM 03 C



Microphone amplifiers
 { CMC 3 -- CMH 3 --
 CMC 5 -- CMH 5 -- C

Active accessories KC -- SKC 200, RC --

Schalltechnik Dr.-Ing. Schoeps GmbH

Spitalstrasse 20 D-7500 Karlsruhe 41 Tel. (0721) 42011 u. 42016 Telex : 7826902



SCHAEFFLER